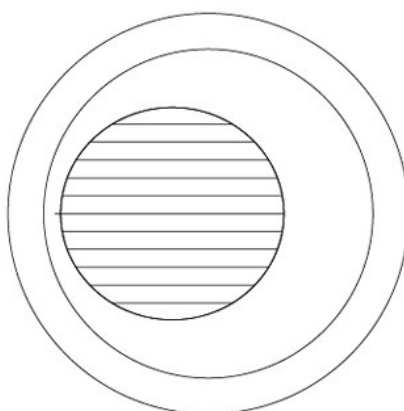
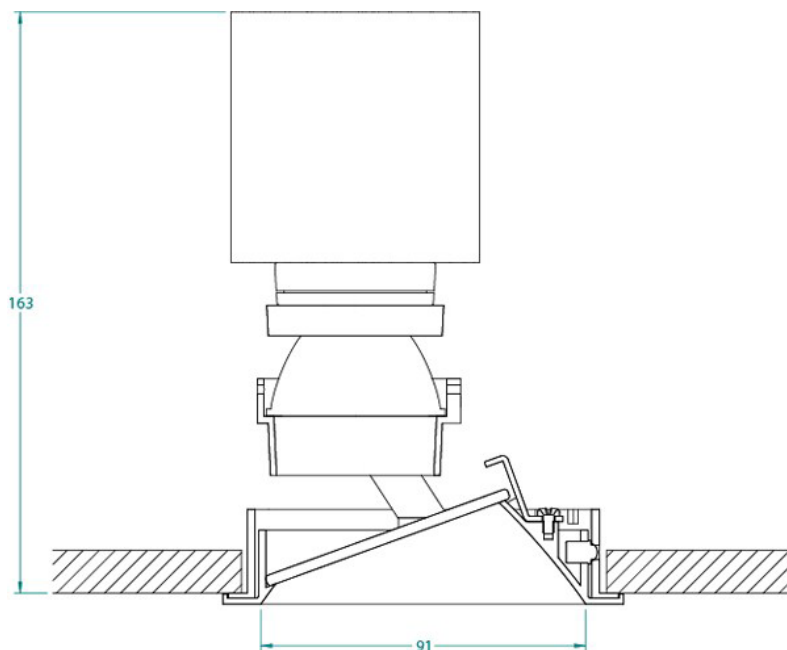


ProSpex® Round Wallwash LU090+XSM-TR-WW

ATEA - LUCENT

+33(0)1 41 36 07 70



Ref Number:	090+XSM-TR-W W-WH 090+XSM-TR-W W-BK
Lamp	Xicato LED module
Lamp holder	n/a
Lamp wattage	See Xicato LED details

Recessed Round wallwash downlight with one piece die cast wallwash front plate for installation in finished ceilings
 Easy to install with separate installation kit and wallwash front plate.
 Internal reflector and linear spread lens for even illumination both horizontally and vertically.
 Components installed with ballcatches.
 IP44 as standard.
 White standard finish. Black available to order
 Overall diameter 112mm
 Ceiling cut out 102mm
 Maximum height 163mm
 Allow minimum 25mm above the luminaire for air gap.
 Xicato LED module with 50mm reflector to be specified separately (refer to Xicato LED module Details).
 40 degree reflector optional.
 Driver to be ordered separately.

www.atea.fr