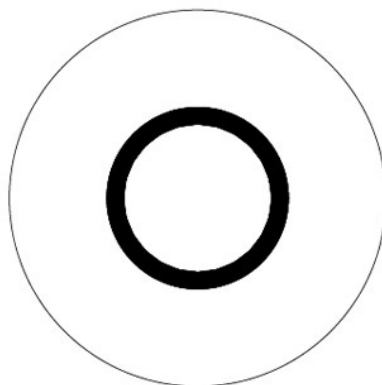
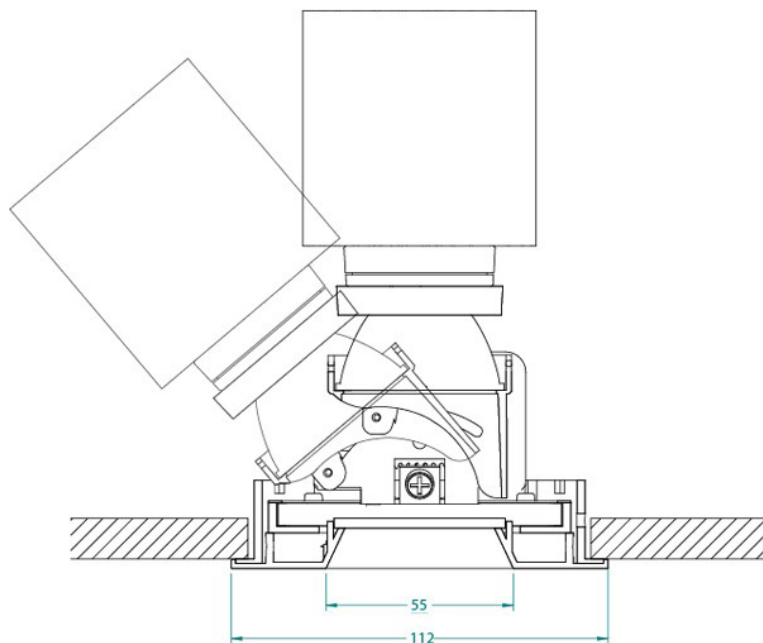
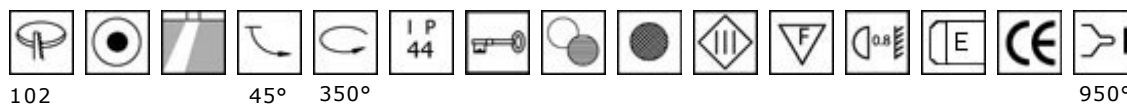


ProSpex® Round Flat Adjustable LU093+13-XSM-TR

ATEA - LUCENT



+33(0)1 41 36 07 70



102

45°

350°

950°



Ref Number:	093+13-XSM-TR-WH 093+13-XSM-TR-BK
Lamp	Xicato LED module
Lamp holder	n/a
Lamp wattage	see Xicato LED details

Recessed Round adjustable downlight with one piece die cast pinhole plate for installation in finished ceilings
 Easy to install with separate installation kit, adjustable cartridge and pinhole plate.
 Components installed with ballcatches.
 Hot aiming, allows focusing while the lamp is on and installed
 45° tilt, 350° rotation.
 Keyed installation of the adjustable cartridge ensures correct alignment after maintenance.
 Luminaire is standard with a clear safety glass.
 IP44 as standard.
 White standard finish. Black available to order
 Overall diameter 112mm
 Ceiling cut out 102mm
 Maximum height 130mm
 Allow minimum 25mm above the luminaire for air gap.
 Luminaire can accept an additional 2 accessories. To be specified separately.

www.atea.fr