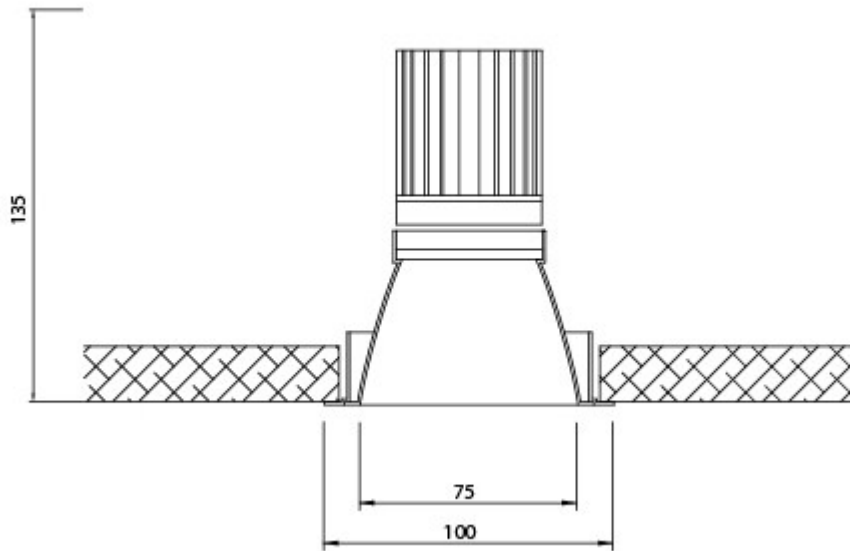


ProSpex® 100 Fixed LU100-LED

ATEA - LUCENT



Ordering Information

Fixture	Lamp	Mounting	ReflectorFinish	IPRating
100	MR - MR16 (low voltage) MH - CMH/MR16 (Metal Halide) QT - QT12 (Low Voltage) LED - ProSpex LED engine XSM - Xicato LED module	TR - Trimmed TL - Trimless	PS - Polished Silver SS - Satin Silver WH - White BK - Black CG - Champagne Gold	IP - IP44



Ref Number:	100-LED
Lamp	Prospex LED50 module
Lamp holder	n/a
Lamp wattage	see LED50 details

Fixed downlight with specular darklight cone.
Minimal white ceiling trim.
Low glare 40° visual cut off.
Designed to accept a range of media accessories.
Reflectors available in other finishes.
Overall diameter 100mm
Ceiling cut out 90mm
Maximum height 135mm
Accessories to be ordered separately.
ProSpex LED50 to be specified separately.
Driver to be ordered separately.

+33(0)1 41 36 07 70

www.atea.fr