

Prospex® Pinhole Edge Washlight 91413-WL

Pinhole downlights with Edge baffle to ensure aperture is glare free and for a professional look. 45mm diameter Pinhole Aperture with deep regressed lamp position for minimal glare.

Both fixed and accent versions. 360° rotation and 22° adjustment on accent fixtures.

Trims available with overlap flange for installation into existing ceilings (suffix "-9000-PBZ" to the reference number when specifying) and Plaster in kit for seamless flush finish (suffix "-9000-PCZ" to the reference number when specifying).

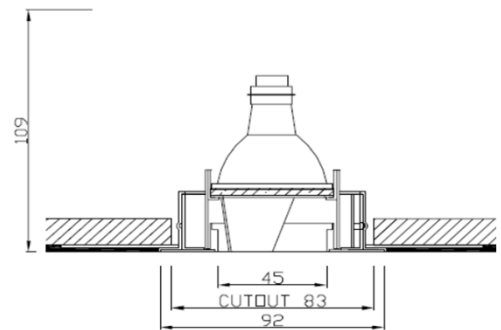
Ref Number:

91413-WL-WH	White (RAL 9010)
91413-WL-BK	Black (RAL 9005)

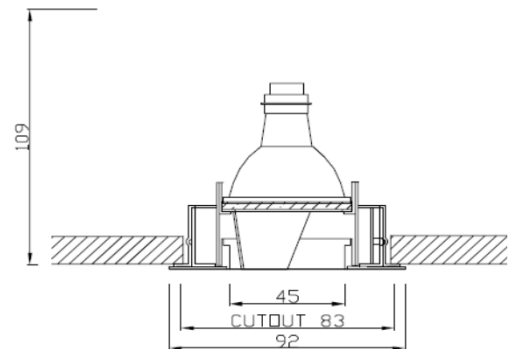
Lamp quantity	1
Lamp	QR-CBC 51
Lamp holder	GU5.3
Lamp wattage	20-50w
Adjustable	No
Aperture	45mm Ø
Overall dimension	92mm Ø
Overall height	109mm
Required depth	135mm
First fix requirement*	Optional
Ceiling cut out	83mm Ø
Ceiling thickness	30mm MAX
Ingress protection**	IP44
Dimming options***	Mains (leading/trailing)



Pinhole Edge Trimless (PCZ)



Pinhole Edge (PCB)



* Separate die cast plaster in kit for plaster ceilings.

** Tested from ceiling underside.

*** Dimming options depend on driver (to be separately ordered/specified). Some control methods may require additional cabling

Lucent reserve the right to change any details, dimensions colours etc without prior notice. Any reproduction of Lucent products is strictly forbidden .. perpetrators will be pursued! Information correct as of May 2012.

Lucent Lighting UK Ltd
The Old Station House
7a Coppetts Road
London N10 1NN

Tel: +44 (0)20 8442 0880
Fax: +44 (0)20 8444 6998
email: info@lucent-lighting.com

Job/Project Name	Area/Location	Fitting Ref	Quantity