



K265 / K360 ROUND POWERLED

Design Pierre Scholtès

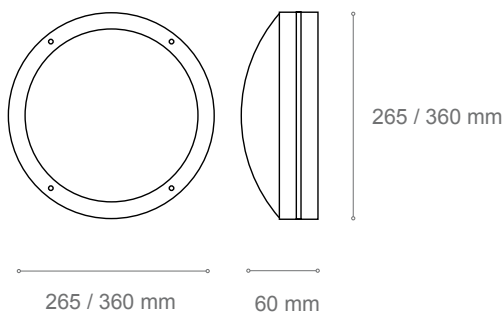
REFERENCE

A309022.30	22w	LED	3000°K	E	D265x60 mm
A309022.40	22w	LED	4000°K	E	D265x60 mm
A310022.30	22w	LED	3000°K	E	D360x60 mm
A310022.40	22w	LED	4000°K	E	D360x60 mm

Aluminium + Polycarbonate

E : Evg : Driver électronique intégré - Electronical led driver integrated

.30 : LED 3000°K - 1000 lm - IRC 80 - driver intégré.
.40 : LED 4000°K - 1100 lm - IRC 80 - driver intégré.



K265 / K360 ROUND

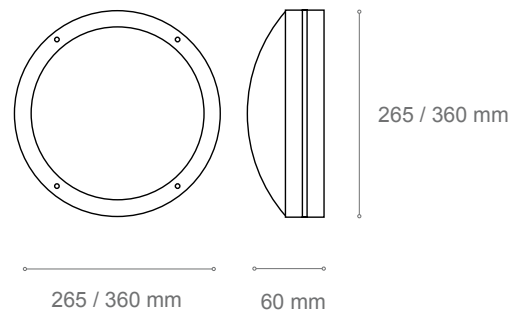
Design Pierre Scholtès

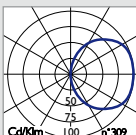
REFERENCE

A309118	1x18w	TCDE	G24q2	E	D265x60 mm
A310226	2x26w	TCDE	G24q3	E / B	D360x60 mm

Aluminium + Polycarbonate

E : Evg : Ballast électronique - Electronical ballast - Elektronisches Vorschaltgerät.
B : Battery : 3 hours battery for security lamp - Notlicht.





POWERLED

E
Evg

.06
silver
grey

.05
black
noir

.30
3000°K



.30
1000 lm

IRC80
3000°K

.40
4000°K

.40
1100 lm




IRC80
4000°K

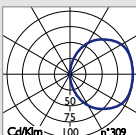



IP
65

850°

5 Kg



TCDE

G24q2

2 x 18w
1200 lumens

TCDE

G24q3



2 x 26w
3600 lumens

E
Evg

B
Battery

.06
silver
grey

.05
black
noir

IP
65

850°

5 Kg

