



## K BIG 4x DIRECT 111 POWERLED

## K BIG 4x DIRECT 111

### REFERENCE

<b>A540468E.WW</b>	4x55w	TCL	2G11	E	90x90x12,9 cm
	4x14w	LED	2800°K	E	LED111
<b>A540468E.NW</b>	4x55w	TCL	2G11	E	90x90x12,9 cm
	4x14w	LED	4000°K	E	LED111
<b>A513001</b>	Kit suspension 2m + boîtier		Suspension set & box		

### REFERENCE

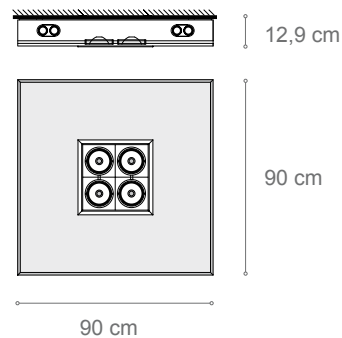
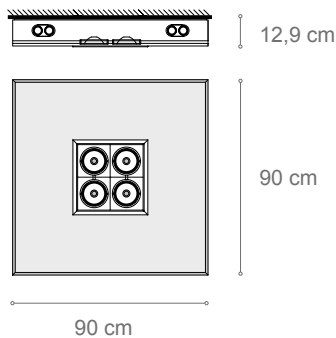
<b>A540420E</b>	4x55w	TCL	2G11	E	90x90x12,9 cm
	4x50w	QR111	G53		
<b>A540360E</b>	4x55w	TCL	2G11	E	90x90x12,9 cm
	4x35w	HIPAR111	GX8,5		
<b>A513001</b>	Kit suspension 2m + boîtier		Suspension set & box		

Aluminium

E : Evg : Ballast électronique - Electronical ballast - Elektronisches Vorschaltgerät.  
Voir ampoule LED111 page 97.

Aluminium

E : Evg : Ballast électronique - Electronical ballast - Elektronisches Vorschaltgerät.



	4 x 55w 17875 lumens			
	8° 16000 cd	24° 3600 cd	45° 1400 cd	
50 000 Heures 70% Flux	POWERLED	4 x 14w .40	4 x 14w .28	
E Evg	.40 4000°K	IRC92 4000°K	.28 2800°K	IRC85 2800°K
.00 alu anodise	.05 black noir			
IP 20	960°			230V AC

	4 x 55w 17875 lumens			
	4 x 50w QR111			
	4 x 35w HIPAR111			
E Evg	.40 4000°K	.28 2800°K		
.00 alu anodise	.05 black noir			
IP 20	960°			230V AC

